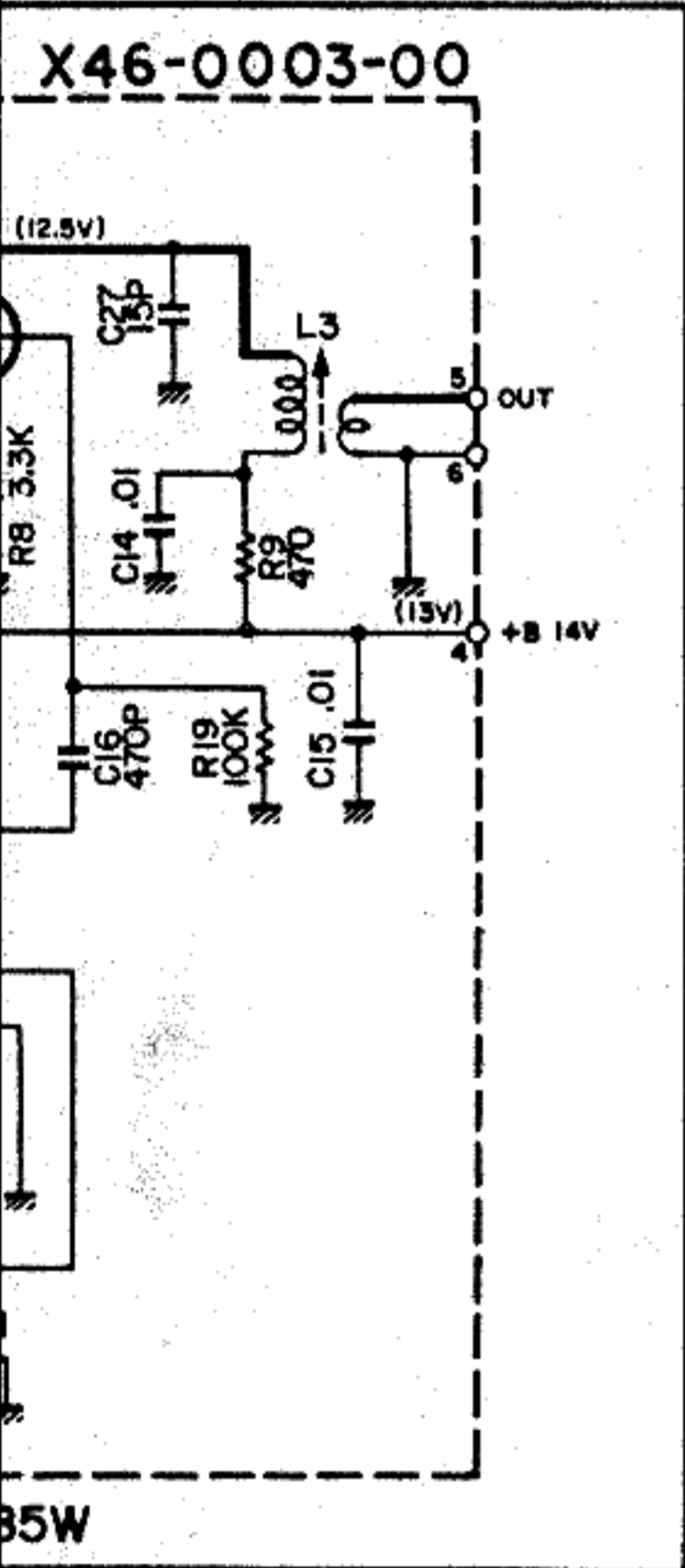
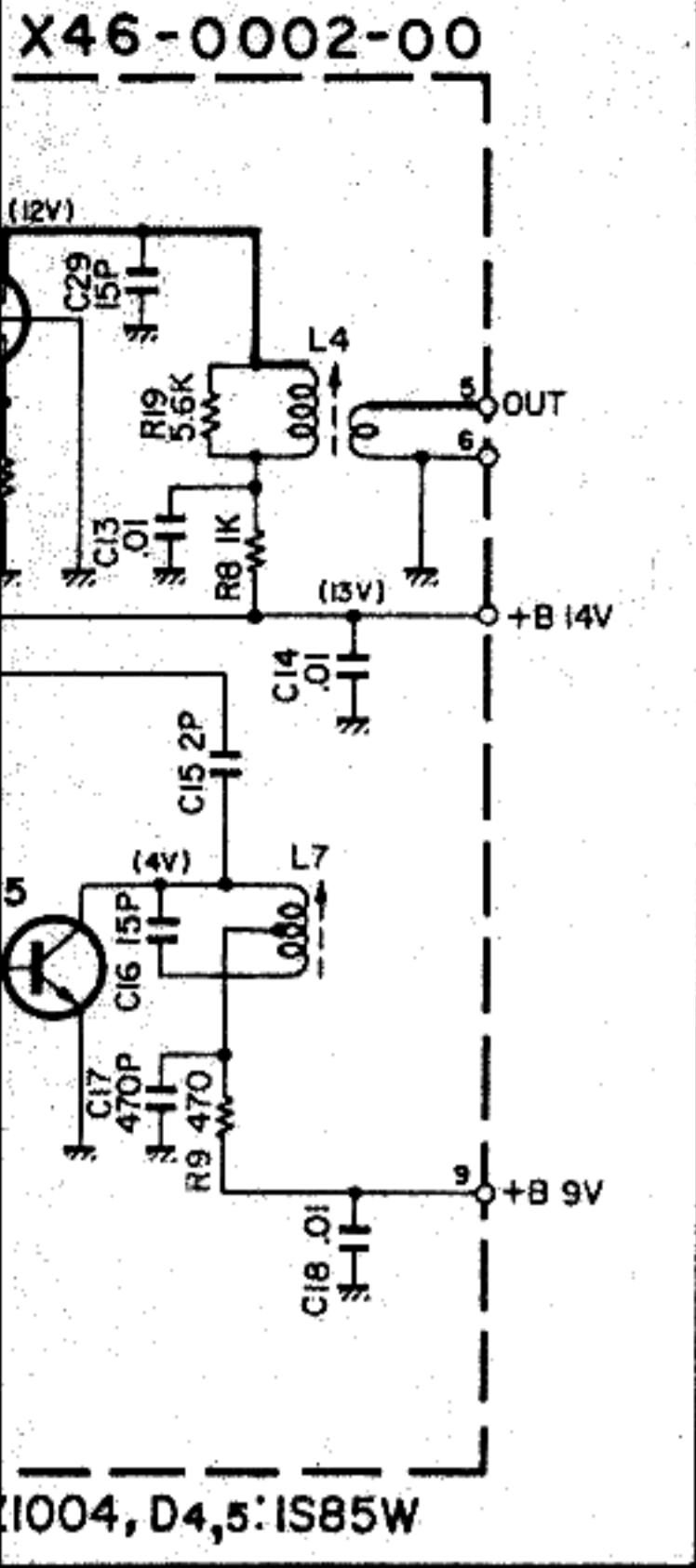


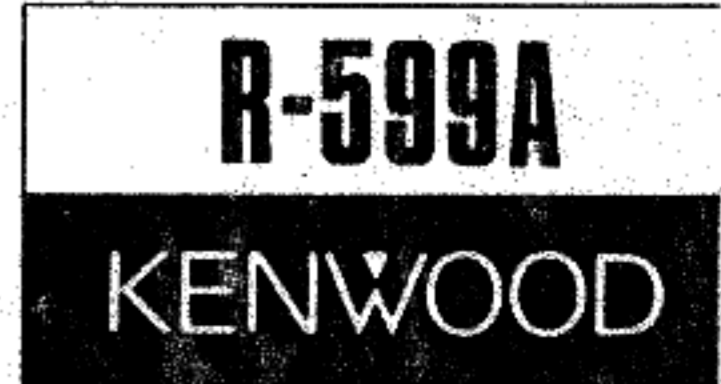
SCHEMATHEEK
 Beh. T. Hultermans
 Postbus 4228
 5604 EE Eindhoven



SPECIFICATION

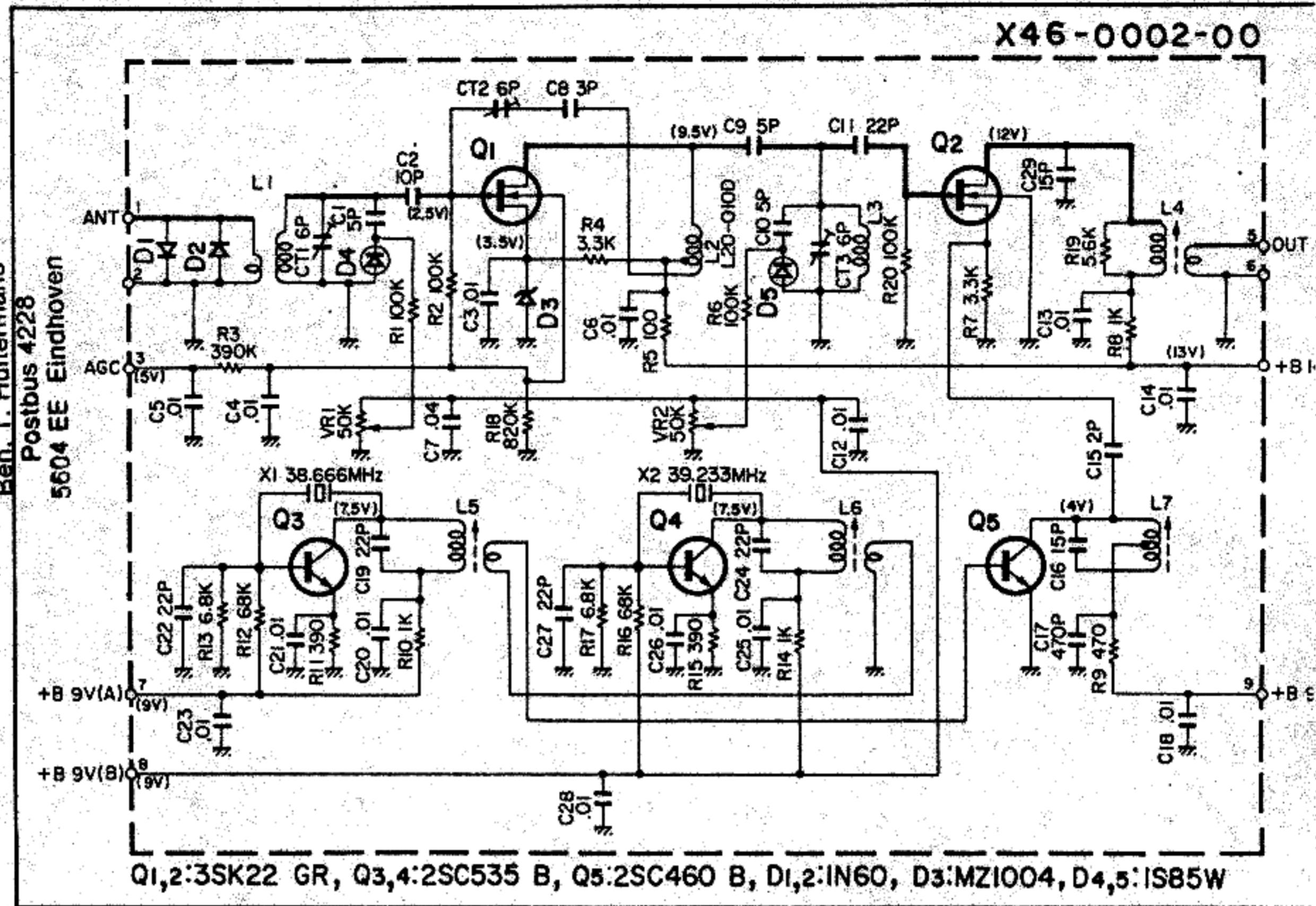
FREQUENCY RANGE	1.8 MHz BAND 1.8 ~ 2.3 MHz 3.5 MHz BAND 3.5 ~ 4.0 MHz 7.0 MHz BAND 7.0 ~ 7.5 MHz 14.0 MHz BAND 14.0 ~ 14.5 MHz 21.0 MHz BAND 21.0 ~ 21.5 MHz 28.0 MHz BAND 28.0 ~ 28.5 MHz 28.5 MHz BAND 28.5 ~ 29.1 MHz 29.1 MHz BAND 29.1 ~ 29.7 MHz CB BAND 28.8 ~ 27.4 MHz 50.0 MHz BAND 50.0 ~ 53.4 MHz (with accessory converter) 144.0 MHz BAND 144.0 ~ 147.4 MHz (with accessory converter) WWV 10.00 MHz
MODE	LSB, USB, CW, AM, and FM.
POWER REQUIREMENTS	100/117/200/240 VAC, 50/60Hz 12 ~ 15 VDC.
POWER CONSUMPTION	Less than 15 watts.
AUDIO OUTPUT IMPEDANCE	4 to 16 ohms for speaker or headphones.
AUDIO OUTPUT	More than one watt (with less than 10% distortion) into an 8 ohm load.
ANTENNA INPUT IMPEDANCE	50 to 75 ohms (unbalanced)
FREQUENCY STABILITY	Within 100 Hz during any 30 minute period after warmup. Within ±2 KHz during the first hour after warmup. Within 2 KHz across the frequency range after calibration at zero.
CALIBRATION ACCURACY	Not more than 400 Hz when the dial is advanced from 0 to 800 and returned to zero.
BACKLASH	Complete to 1 KHz calibrations on the dial scale.
FREQUENCY READOUT	Better than 50 db down when compared to 1µv.
IMAGE RATIO	Better than 50 db down when compared to 1µv.
IF INTERFERENCE	
SENSITIVITY * SSB	1.8 through 28 MHz Bands - Better than 0.5µv. CB Band - Better than 0.5µv. 50 MHz Band - Better than 1.0µv (with accessory converter). 144 MHz Band - Better than 6.0µv (with accessory converter). WWV Band - Better than 0.5µv.
AM	1.8 through 28 MHz Band - Better than 30µv. CB Band - Better than 3.0µv. 50 MHz Band - Better than 6.0µv (with accessory converter). 144 MHz Band - Better than 6.0µv (with accessory converter). WWV Band - Better than 3.0µv.
SELECTIVITY SSB	Better than 2.4 KHz bandwidth (6 dB down). Better than 4.4 KHz bandwidth (60 dB down).
CW	Better than 500 Hz bandwidth (6 dB down). Better than 1.5 KHz bandwidth (60 dB down).
AM	Better than 5 KHz bandwidth (6 dB down). Better than 12 KHz bandwidth (60 dB down).
FM	Better than 20 KHz bandwidth (6 dB down). Better than 120 KHz bandwidth (40 dB down).
AGC	Selectable automatic gain control for fast, slow, or no AGC.
SQUELCH	Built-in squelch.
VFO VERSATILITY	Versatile cross channel operation with T-599A transmitter.
FIXED FREQUENCY OPERATION	Built-in fixed frequency oscillator for single channel operation.
CALIBRATOR	Built-in 25 KHz crystal oscillator.
RIT	The receiver incremental tuning control can vary the receive frequency ±2 KHz or more.
METERING	Built-in S-meter S1 through S9 to 80 dB over.
SEMICONDUCTOR COMPLEMENT	8 FET. 2 IC. 30 transistors. 51 diodes. 2 zener diodes. 1 variable capacity diode.
DIMENSIONS	10.125" wide x 6.50" high x 12.25" deep.
WEIGHT	12.5 pounds. 21.5 pounds shipping weight.

* [All with a 10 dB (signal + noise)/noise ratio].



CC-29A 2m Xtal CONVERTOR

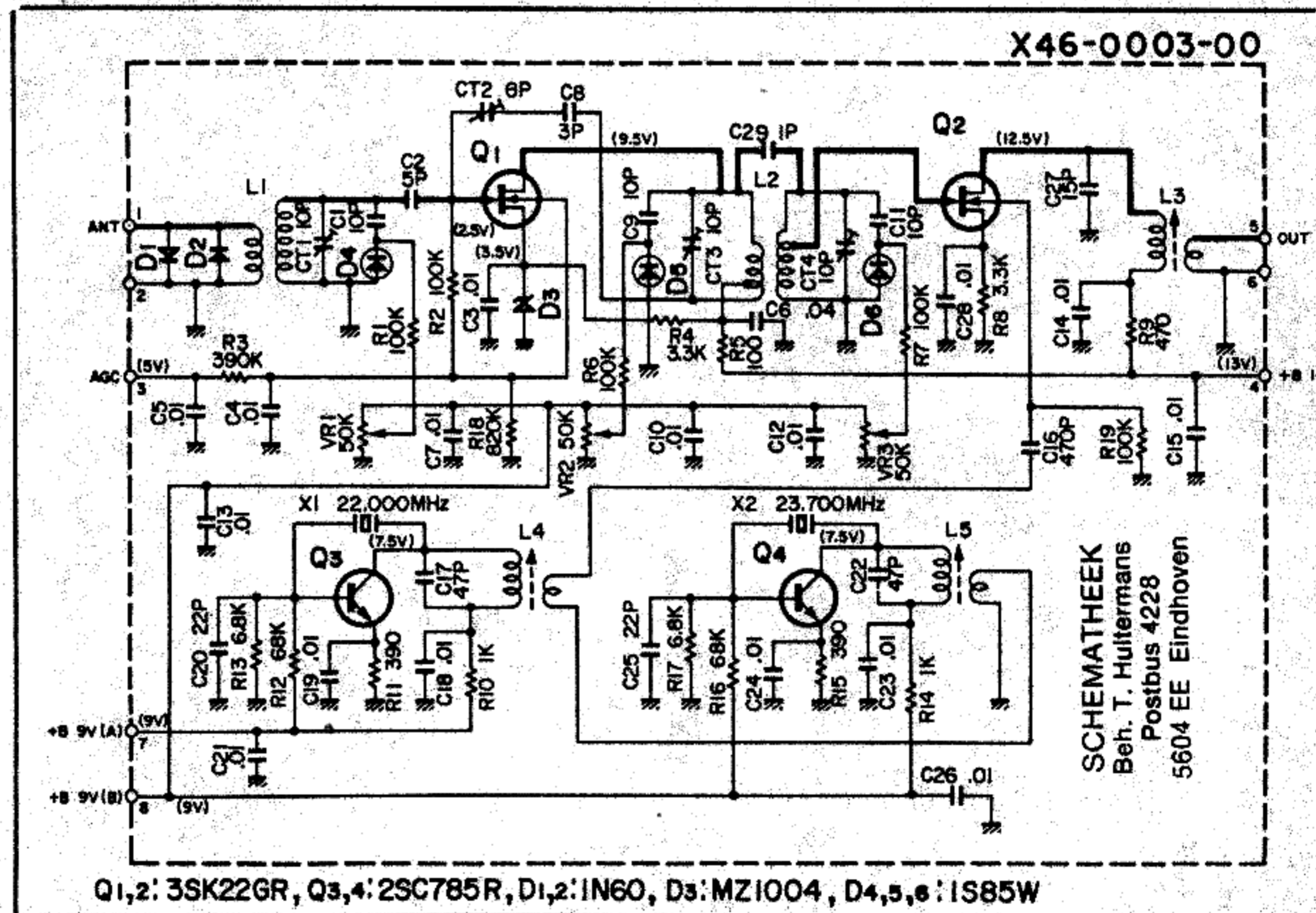
SCHEMATEHEEK
Beh. T. Hultermans
Postbus 4228
5604 EE Eindhoven



Q1,2:3SK22 GR, Q3,4:2SC535 B, Q5:2SC460 B, D1,2:IN60, D3:MZI004, D4,5:IS85W

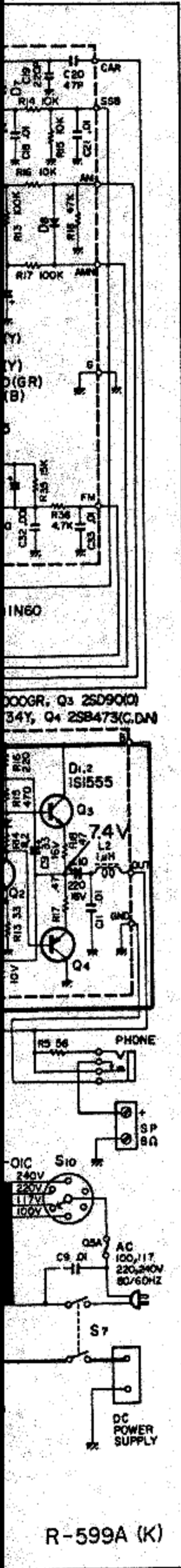
CC-26A 6m Xtal CONVERTOR

X46-0003-00



Q1,2: 3SK22GR, Q3,4:2SC785R, D1,2:IN60, D3:MZI004, D4,5,6:IS85W

SCHEMATEHEEK
Beh. T. Hultermans
Postbus 4228
5604 EE Eindhoven

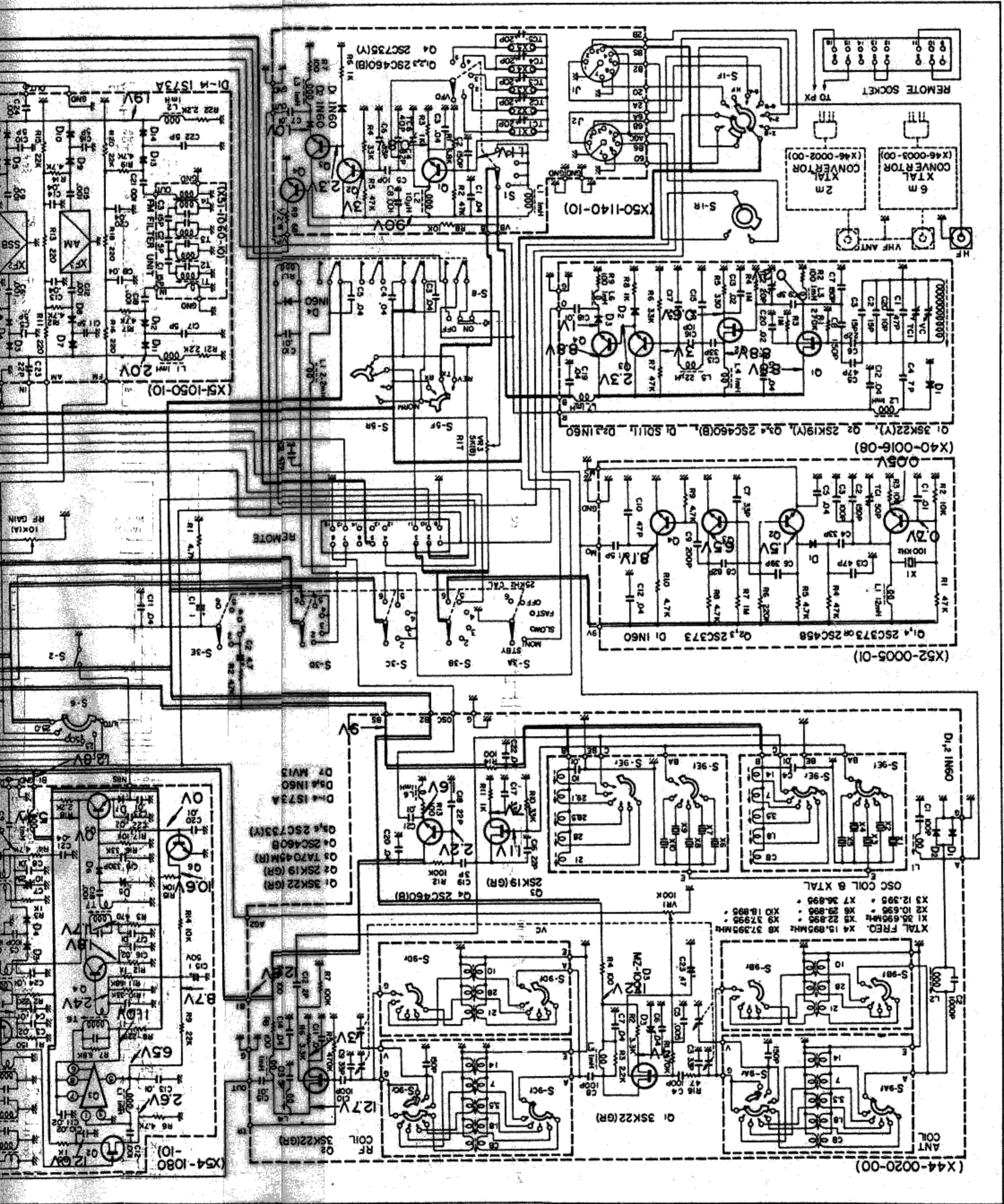


R-599A (K)

SCHEMATIC

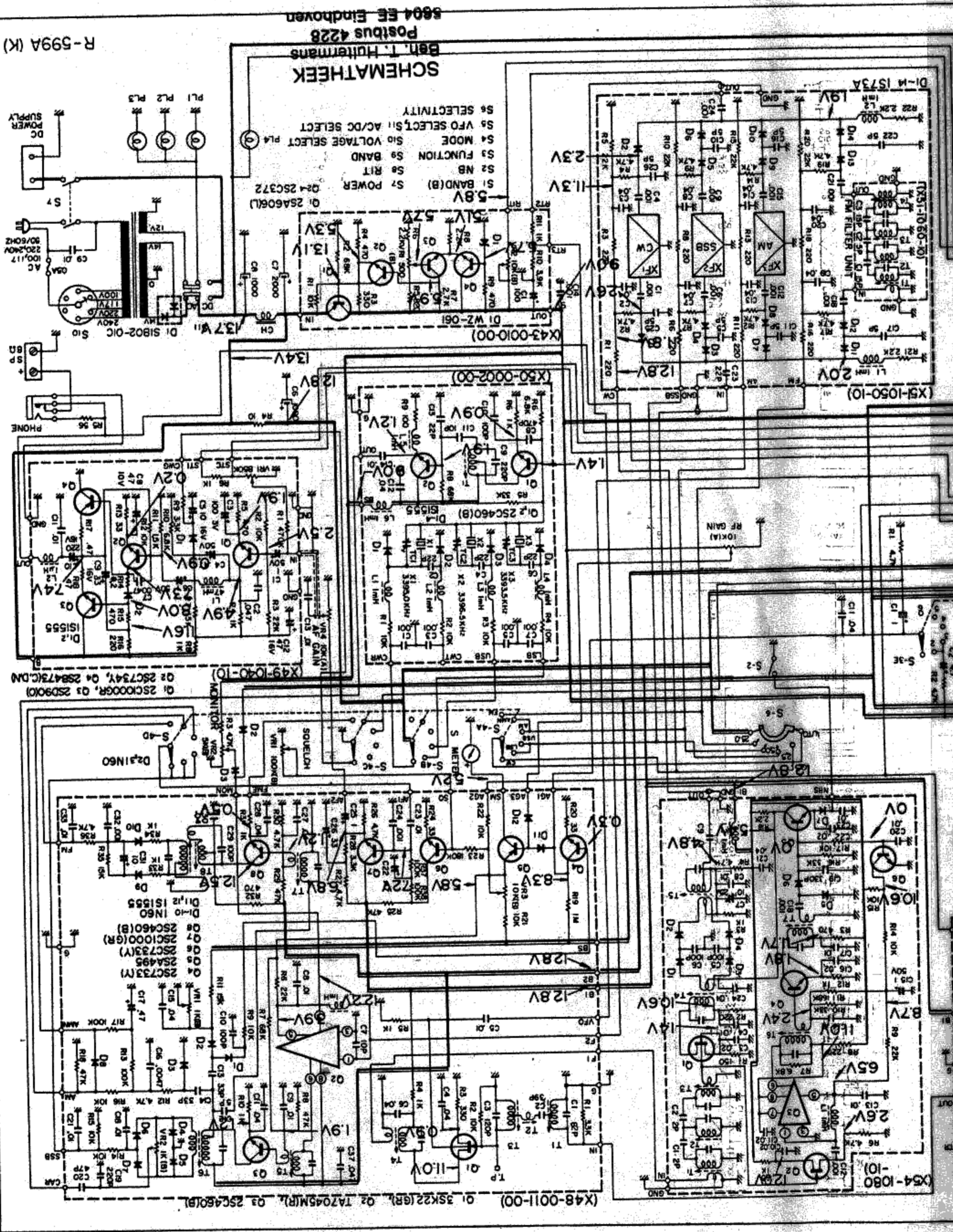
Beh. T. Hultermans
Postbus 4228

5604 EE Eindhoven



6
5
4
3
2

A
B
C
D



R-599A (K)